



# CONTACT

## ADHESIVE PROTECTION PLATES

### 350 / 200 MM HIGH



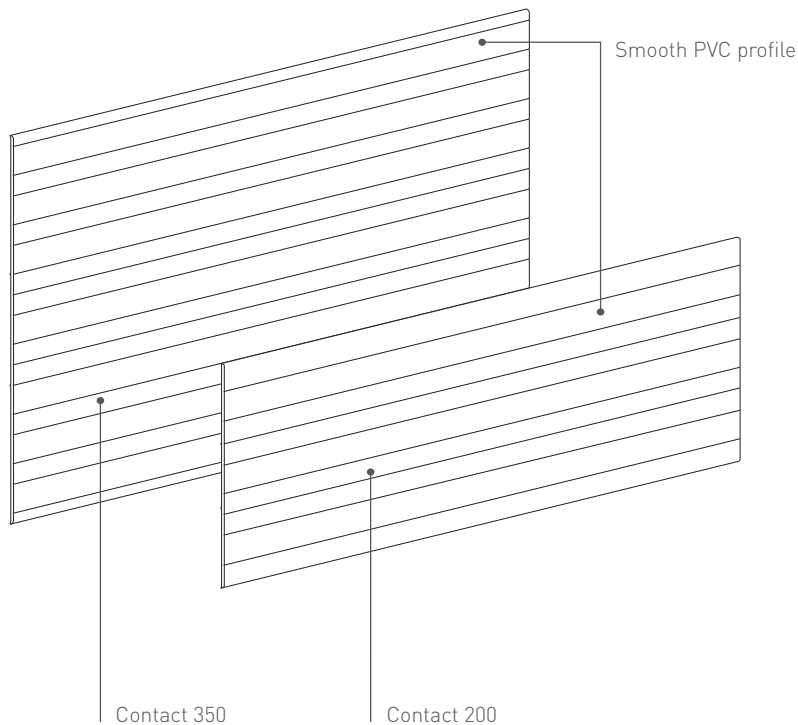
#### APPLICATIONS

Both resistant and decorative, the Contact protection plates prevent damage to doors and walls exposed to furniture and bed scratches, chair frictions and repeated impacts from trolleys (corridors, bedrooms and waiting rooms in public buildings).

It also matches the Impact protection rails.

#### DESCRIPTION

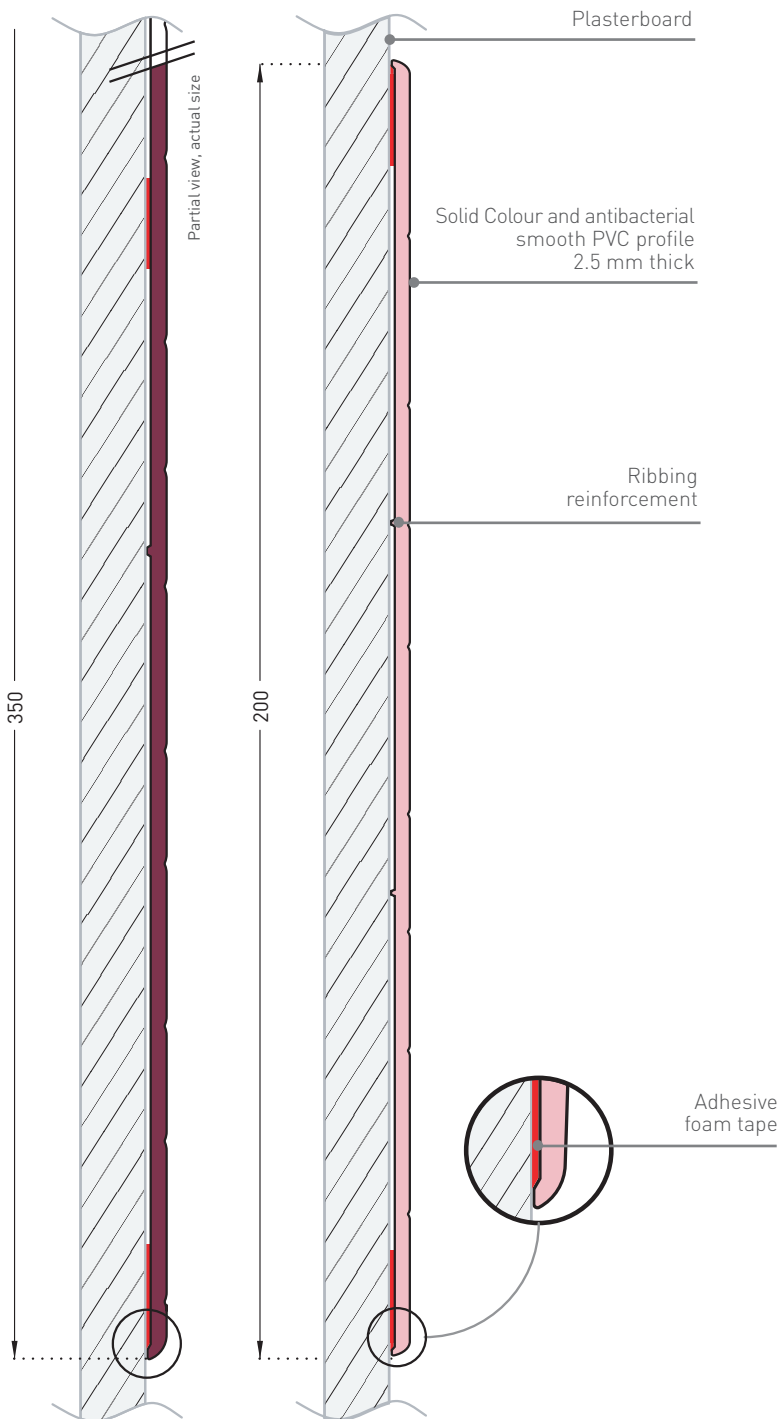
- Model: Contact 350 or 200 adhesive protection plate
- Height: 350 or 200 mm
- Thickness: 2.5 mm
- Length: 4 m
- Material: antibacterial and Bs2d0 fire-rated PVC, solid colour
- Surface finish: smooth with decorative grooves
- Fixing: adhesive foam tapes to reinforce with SPM multipurpose adhesive sealant
- Colours: 39
  - 28 in stock and 11 on order for Contact 200
  - 12 sur stock and 27 on order for Contact 350





▽ ▽ Colours on order

Colours available per product: please see the colour summary hinge



## SPECIFICATION

- Description: adhesive protection plate (Contact 350 or 200 as manufactured by SPM) from smooth and antibacterial PVC achieving Bs2d0 reaction to fire classification with solid colour. PVC profile is 350 or 200 mm high and 2.5 mm thick. It provides a smooth surface finish with decorative grooves. A protective film is specified to minimise cleaning before acceptance. It is provided with 2 or 3 strips of double-sided adhesive foam tape for fixing.
- Environment: no heavy metals and no substance potentially subjected to any REACH restriction are used in its manufacture, nor PBT/ BPA. The calcium-zinc thermal stabilisation process is used. The emission level of volatile substance in inside air has been tested according to ISO 16000-6 and is very low (A+) according to the French regulation (23 March 2011 nr 2011-321 Decree and 19 April 2011 Order). 100% of the product are recyclable.
- Colour: selected by architects from manufacturer's standard range.
- Installation method: adhesive. SPM multipurpose adhesive sealant is recommended for stronger fixing.

Specifications and section drawings on our website [www.spm-international.com](http://www.spm-international.com)



**bimobject** BimObject in Revit and Archicad